



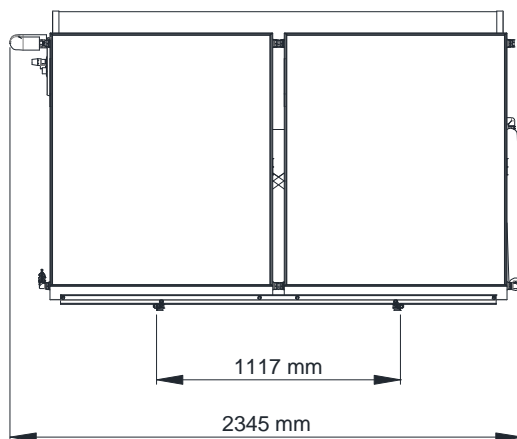
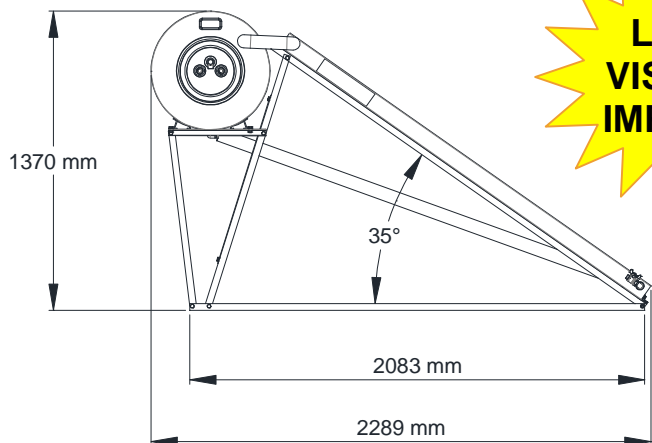
# INGESOLAR 300DBUL THERMOSYPHON EQUIPMENT

UP TO 5 - 7 PEOPLE

Compuesto por:



- 2 Solar collectors INGESOL-AR
- Hot water tank ACS IGSC 300 UL
- Production capacity of **400 liters** of hot water
- Hidraulic elements kit
- Structure for flat or sloping roof. Possibility of different angles depending on the architectural integration.

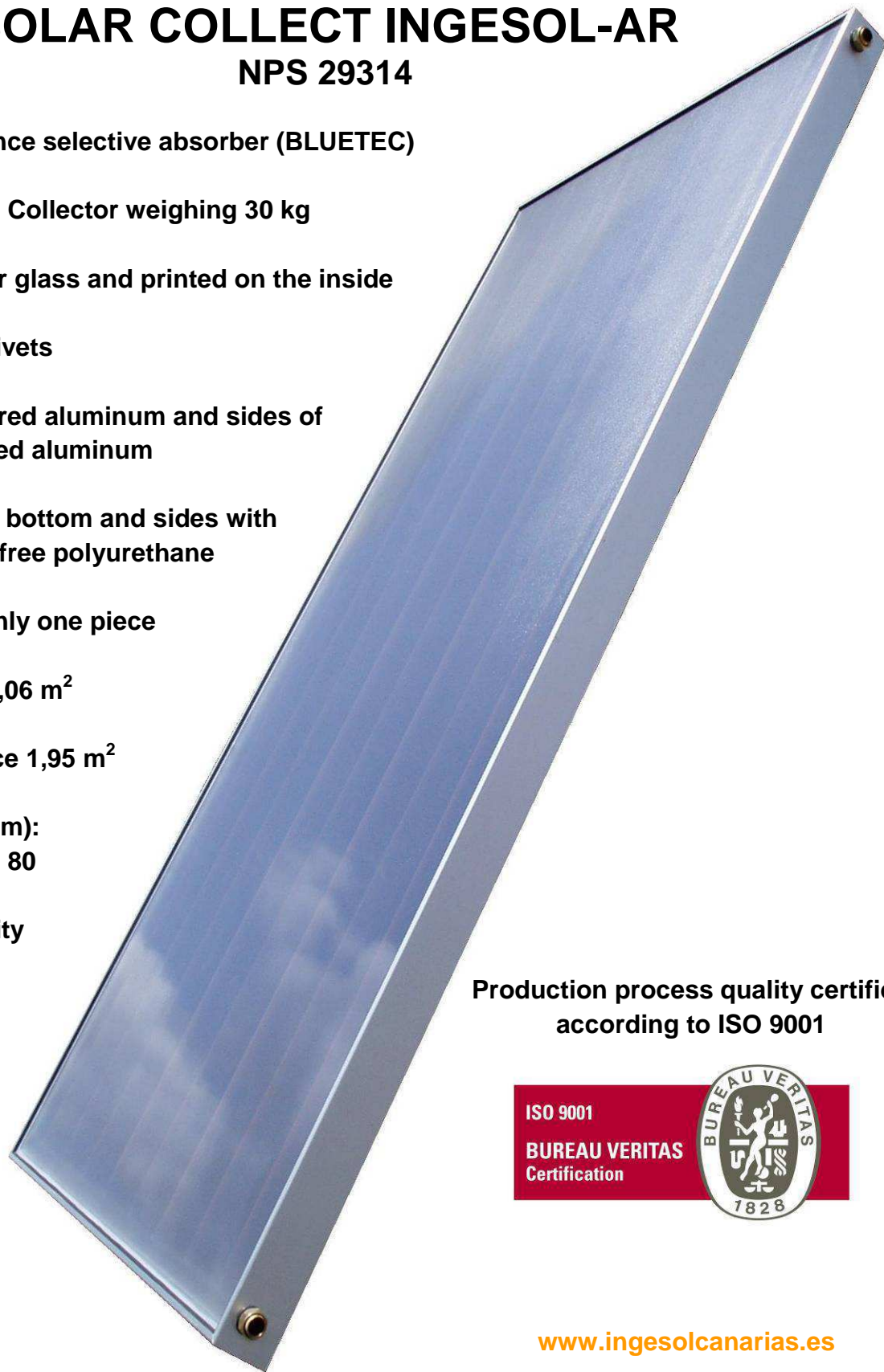


**AUTHORIZED INSTALLER:**

INGESOLAR 300DBUL

## **SOLAR COLLECT INGESOL-AR** NPS 29314

- High performance selective absorber (BLUETEC)
- Ultralight Solar Collector weighing 30 kg
- Tempered solar glass and printed on the inside
- No screws or rivets
- Back of lacquered aluminum and sides of marine anodized aluminum
- Isolation of the bottom and sides with Compact CFC free polyurethane
- Box made of only one piece
- Total surface 2,06 m<sup>2</sup>
- Opening surface 1,95 m<sup>2</sup>
- Dimensions (mm):  
2.020 x 1.020 x 80
- Maximum quality



**Production process quality certified  
according to ISO 9001**

